



Dear customer,  
my compliments for your purchase.

Please read these few notes before going to the next page and enjoying your new model.

#### MISSION

We at **Paper Make iT!** have the Mission to product Models and Figures for tabletop gamers. This means that these accessories must be easy and fast to be built and ready to be used in games in just minutes after printing them. The present Guide will draw you to final steps in a visual way so to be readable by everyone in every language worldwide.

#### CONTACT US

We have always paid attention to customer needs. If you have any comments, suggestions, claims, about this product or needs on future products, don't hesitate to get in contact with us writing to: [info@papermakeit.com](mailto:info@papermakeit.com)

#### COPYRIGHT

The item you purchased is copyrighted by **Paper Make iT!** who reserved all rights. You can copy the file and print as many copies you want only for personal use. Any other purposes, free or commercial ones (for example, but not limited to, sharing, reselling or redistribution), is allowed only under explicit permission. Piracy kills little businesses like ours: help us to stay alive!

#### AFFILIATE PROGRAM

If you like this **ULTIMATUM Series** you can support us by drawing by yourself new Textures (Vanilla sheets are included in this box) or producing new models with the same Textures or even creating brand new models. Your items will be sold within the official channels after our explicit agreement and evaluation. Your effort will be compensated by a regular fee, giving you the right credit on the items themselves. Contact us for more detail or visit [www.papermakeit.com](http://www.papermakeit.com).

#### PRINTING TIPS

- Print only ONE sheet and check that the design has the right features (dimensions and colors).
- Printers tend to resize the sheet, ruining the right dimensions of each part. Set the printer to print the normal size, without fitting to the paper size.
- Printers tend to automate the color management. Set the printer in custom mode and select the best combination of colors (photo or graph), lightness and intensity in order to match your attended result. Take note of those settings and repeat the same for each sheet. In this way the final model will have the same look in each part.
- Set the right paper type you are printing on for the best result.
- All present drawings have been produced within 8" x 11", so that they can be printed on Letter or A4 paper size without any resize from user side.
- A heavy cardstock is suggested to build a strong structure with more than one floor or dedicated to metal miniatures. A white glue will help in this way as well.

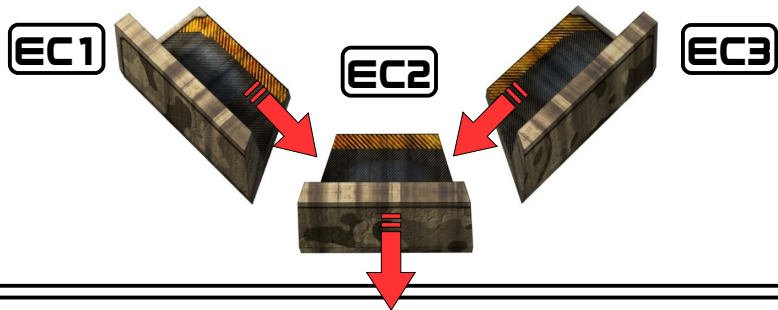
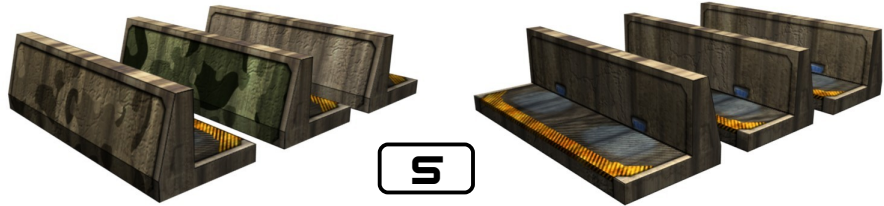
Thank you for your patience,  
Claudio Pieroni, Rome – ITALY

...AND NOW, WE ARE PROUD TO INTRODUCE:

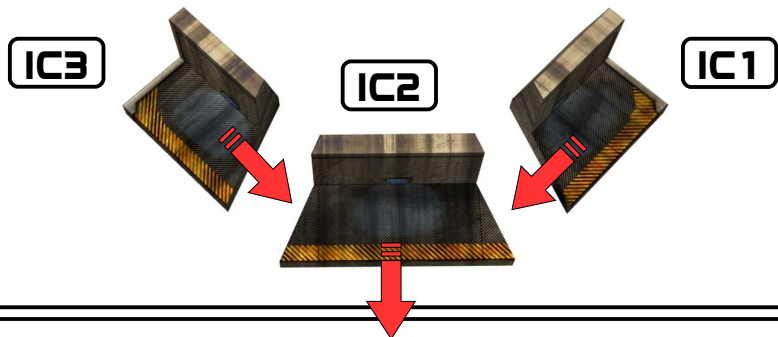
# ULTIMATUM TO THE EARTH BARRICADES

# ULTIMATUM TO THE EARTH BARRICADES

STRAIGHT  
MODULE



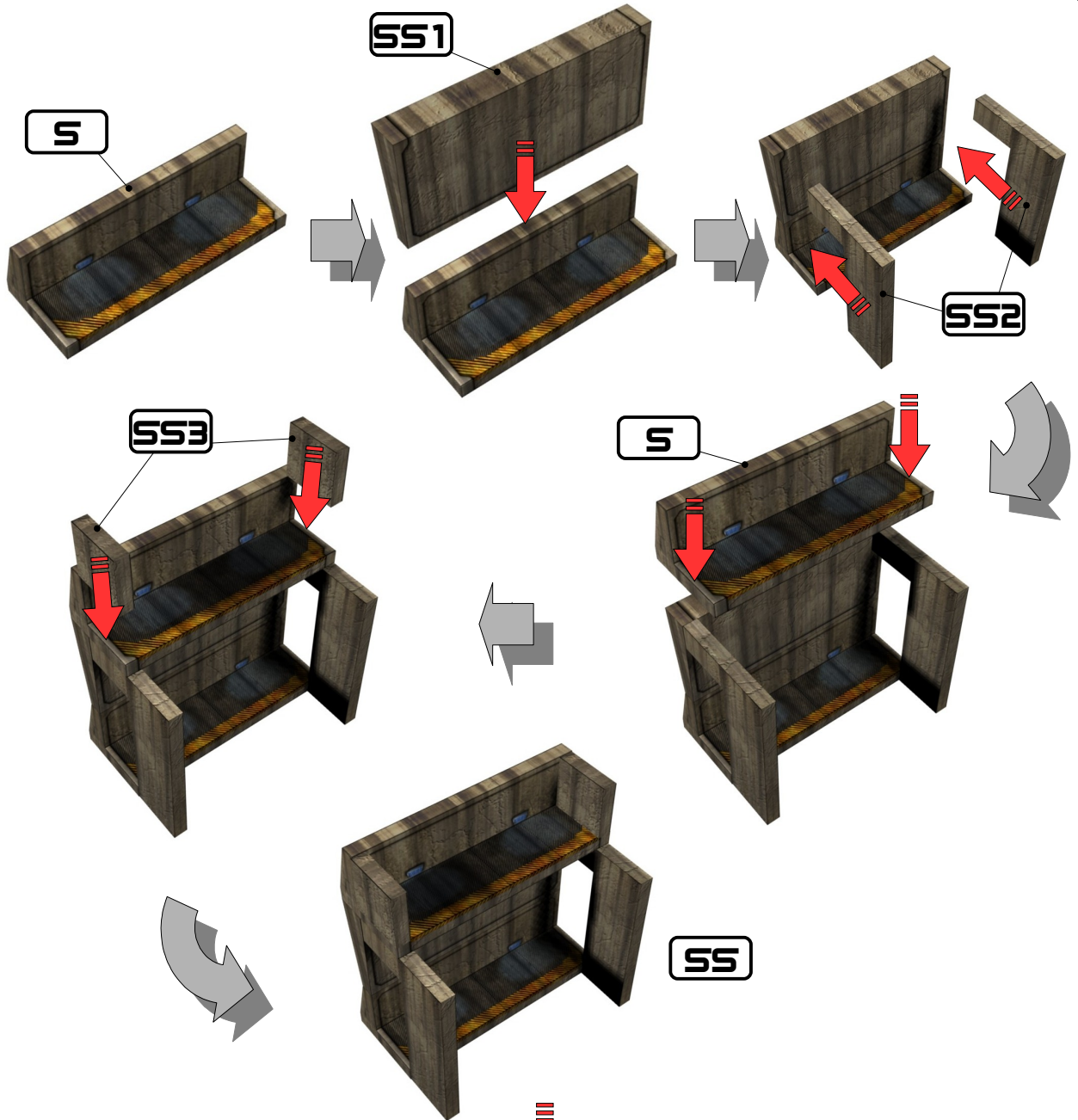
EXT. CURVE  
MODULE



INT. CURVE  
MODULE



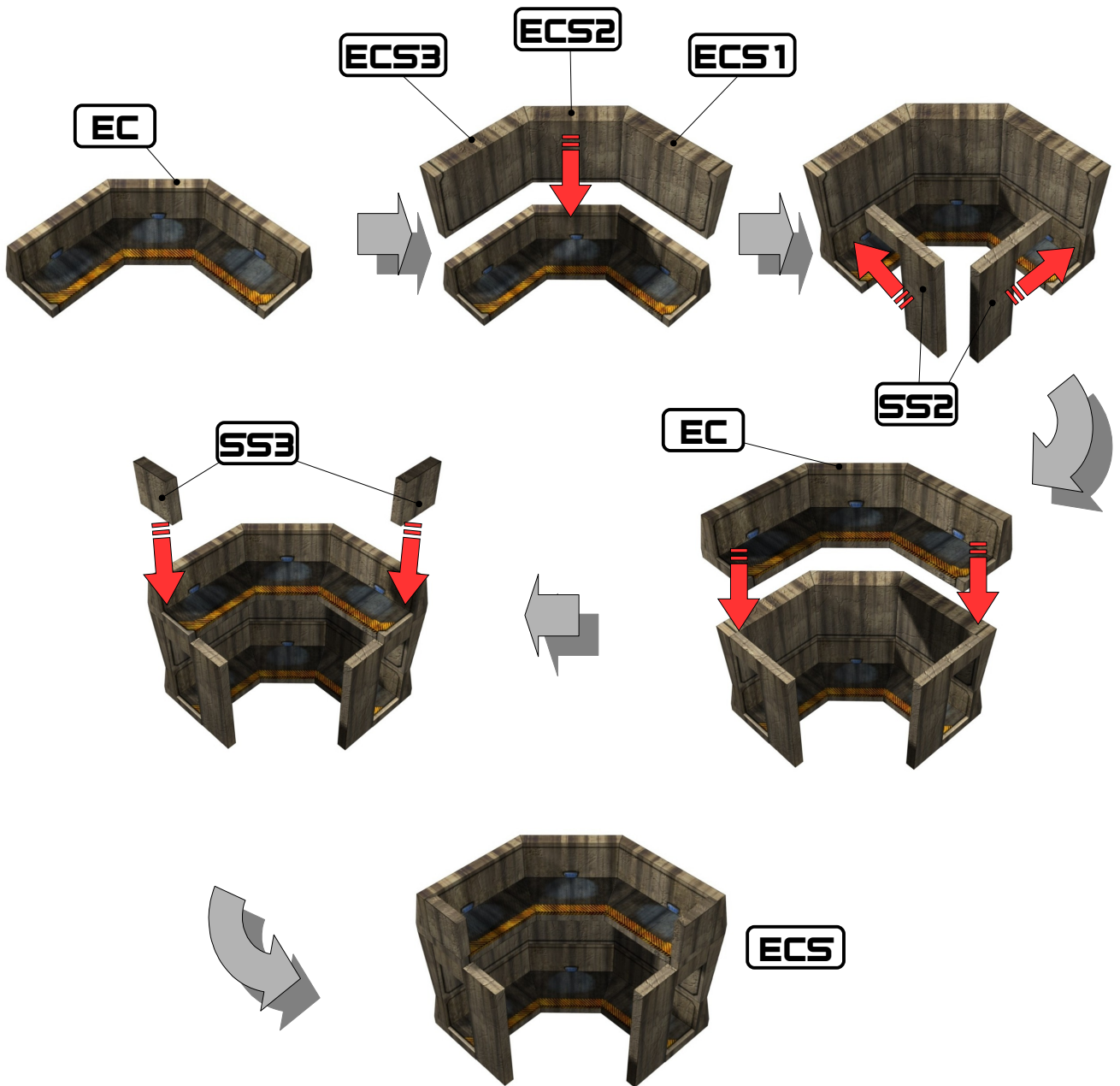
# ULTIMATUM TO THE EARTH BARRICADES



**STRAIGHT  
SUPPORT  
MODULE**



# ULTIMATUM TO THE EARTH BARRICADES



**EXT. CURVE  
SUPPORT  
MODULE**



# ULTIMATUM TO THE EARTH BARRICADES

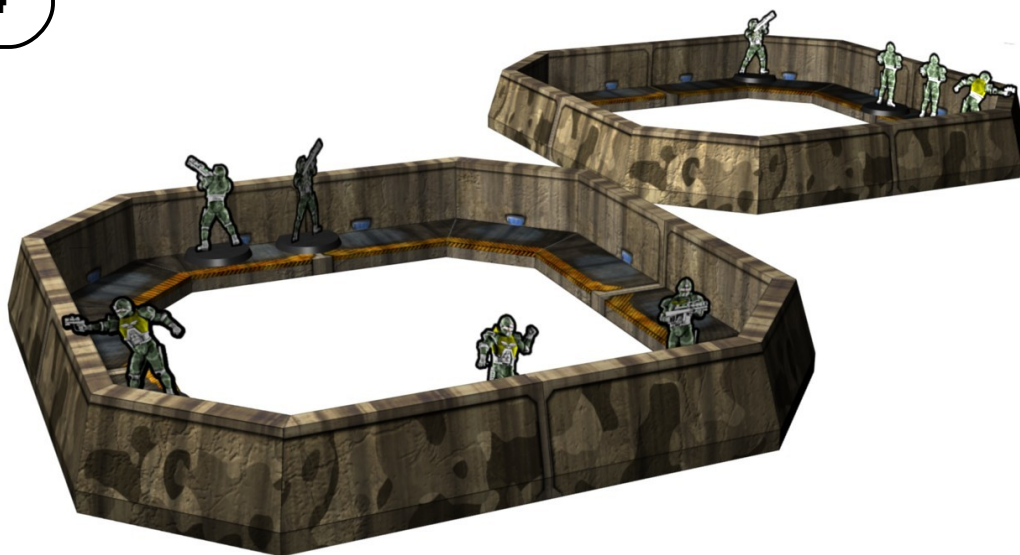
## THE SHELTER

PIECES:  
ECS X 2  
SS X 1  
EC X 5  
IC X 3  
S X 2



## THE NEST

PIECES:  
EC X 4



# ULTIMATUM TO THE EARTH BARRICADES

## THE BUNKER

**PIECES:**

**ECS**    X 3  
**EC**     X 1



## THE HIGH CORRIDOR

**PIECES:**

**SS**        X 2  
**SS2**     X 2  
**SS3**     X 2  
**S**         X 4

